

APPENDIX B3

CONVEYOR SECTIONS

ANGAS PROCESSING FACILITY

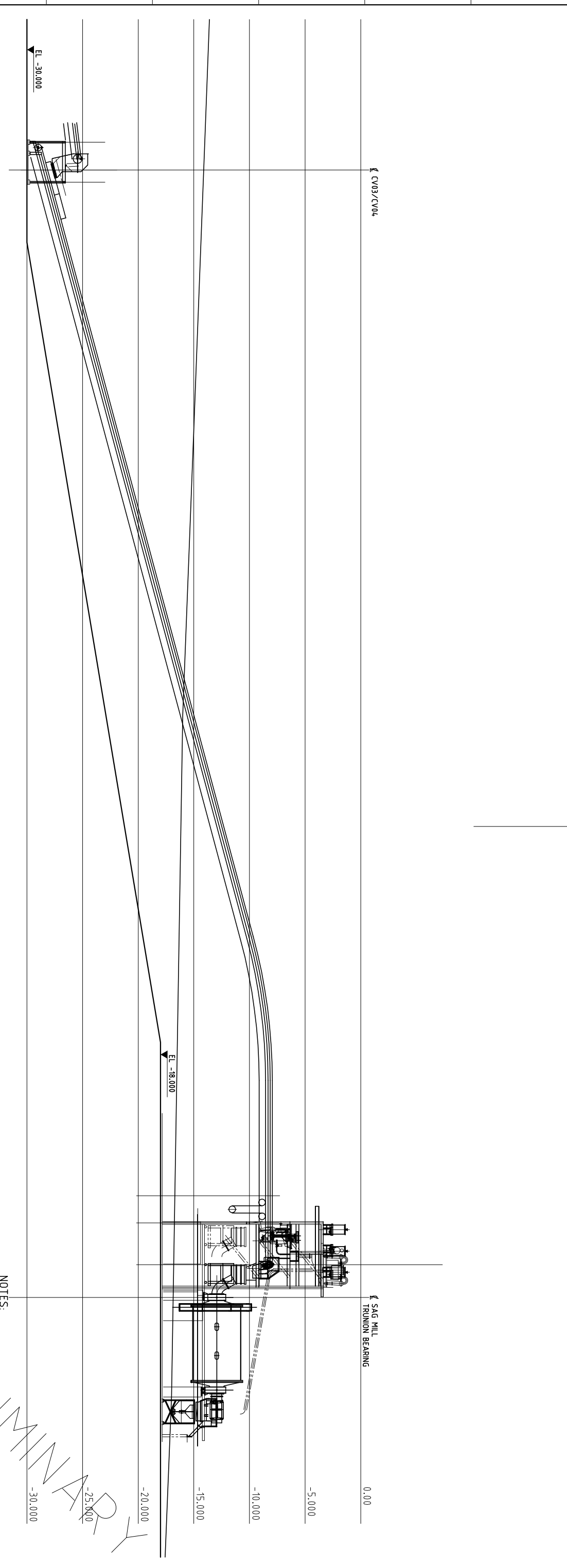
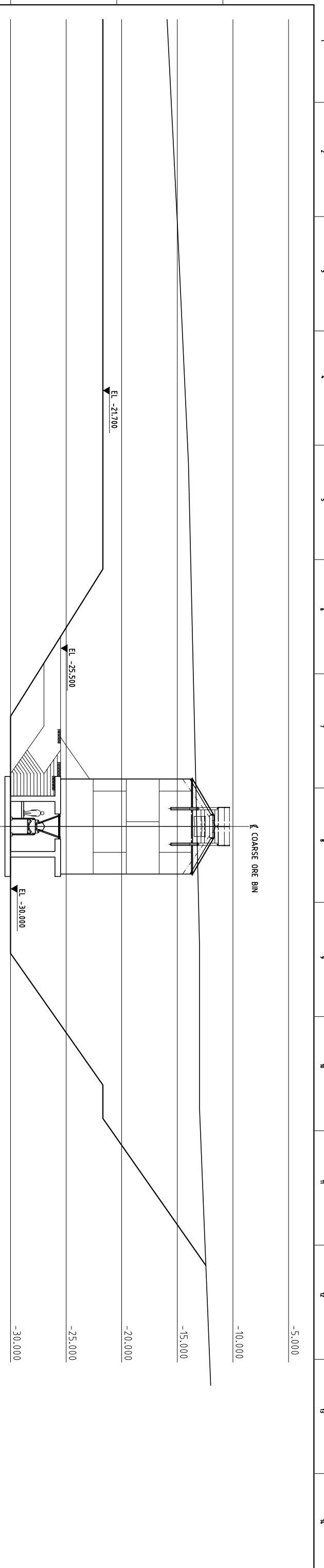
MISCELLANEOUS PURPOSES LICENSE APPLICATION

2019/0826



ABN | 67 062 576 238

Unit 7 / 202-208 Glen Osmond Road | Fullarton SA 5063



- NOTES:**
1. FOR GENERAL NOTES & REFERENCE DRAWINGS REFER DWG AZP 90-C-001
 2. FILL MATERIAL SHALL BE PLACED IN LAYERS (EACH LAYER SHALL NOT EXCEED MORE THAN 300mm LOOSE) AND COMPACTED TO 95% OF THE MODIFIED MAXIMUM DRY DENSITY AND ±2% OF THE OPTIMUM MOISTURE CONTENT.
 3. FILL MATERIAL SHALL BE PLACED IN LAYERS (EACH LAYER SHALL NOT EXCEED MORE THAN 300mm LOOSE) AND COMPACTED TO 92% OF THE MODIFIED MAXIMUM DRY DENSITY AND ±2% OF THE OPTIMUM MOISTURE CONTENT.
 4. MINE WASTE COMPACTED BY RUBBER TYRED VEHICLES DURING PLACING & SPREADING.
 5. ALL TESTING SHALL BE DONE TO AS1289-1977 PART E2.1

DO NOT SCALE DRAWING IF IN DOUBT, ASK!		BULK EARTHWORKS ELEVATIONS SHIT 2 OF 2		A ZP 300-C-005		A 4.08.06 ISSUED FOR INFORMATION		BG AUG 06		PROJECT: TERRAMIN AUSTRALIA LTD ANGAS ZINC PROJECT	
BULK EARTHWORKS PLAN		A ZP 300-C-002		A 4.08.06		ISSUED FOR INFORMATION		TECH APP		TITLE GENERAL BULK EARTHWORKS ELEVATIONS SHIT 2 OF 2	
3RD ANGLE PROJECTION		REV		DATE		REVISION		PROJ APP		SCALE 1:150	
REFERENCES		DNG No		REV		DATE		PROJ APP		Dwg No. AZP 300-C-006	
REV		DATE		REVISION		DNG No		PROJ APP		REV A	

This drawing is the property of ABSOLUTE ENGINEERING & CONSTRUCTION LTD and is not to be reproduced, stored in a retrieval system, or transmitted in any form or by any means, electronic, mechanical, photocopying, recording, or by any information storage and retrieval system, without the prior written permission of ABSOLUTE ENGINEERING & CONSTRUCTION LTD.

ABSOLUTE ENGINEERING & CONSTRUCTION LTD
 ENGINEERING & CONSTRUCTION LTD
 Head Office: Tel: (08) 9451 8500
 Engineering Office: 89 Chisholm Crescent, Koolba, WA 6185
 Tel: (08) 9359 1866 Fax: (08) 9359 2485
 Email: info@abesque.com.au

